

SPECIFICATION FOR APPROVAL

承认书

Customer (客户) : _____

Product Name (产品名称) : _____ 压电无源蜂鸣器

Zhenmei Part No. (臻美型号): _____ MIMS3531TL100

Specification (规格) : _____ $\phi 35$

Customer's Model No. (客户型号): _____

Specification No. (规格书编号): _____ AT3531TL100MM

Number of the edition (版本号) : _____ A1

CUSTOMER'S APPROVED SIGNATURE 客户承认盖章

| | | |
|--------------------------------------|--|--|
| CUSTOMER'S APPROVED SIGNATURE 客户承认盖章 | | |
| | | |



臻美智能电子
zhen mei smart electronics

广东臻美智能智能科技有限公司

Guangdong zhenmei intelligent electronic technology co., ltd.

地址:广东省东莞市塘厦镇华新智慧工业园华新路 22 号

TEL: 400-659-1989 FAX:0769-82196690

Http: www.zhenmeigd.com

E-MAIL: sales888@zhenmeigd.com

| Approved by 核准 | Checked by 审核 | Issued by 制成 |
|----------------|---------------|--------------|
| | | |

| | | |
|--|--------------------|---------------|
| SPECIFICATION FOR APPROVAL 承 认 书 | PAGE NO. 页码 | 2/3 |
| | PART . NO. 产品型号 | MIMS3531TL100 |

SPECIFICATION

| | | | | |
|--|---------------------------|--------------------------------|-------------------------------|--------------|
| Customer: | | Part No: | | |
| Product: Piezoelectric Buzzers | | Part No: 3531TL100MM 无字 | | |
| Technical Terms | | | | |
| Resonant Frequency (KHZ) | | 4000±0.5 | | |
| Rated Voltage (V_{P-P}) | | 5 | | |
| Operating Voltage (V_{P-P}) | | 1~30 | | |
| Max. Current Consumption at Rated Voltage (mA) | | 3 | | |
| Capacitance at 1000Hz (Pf) | | 55000±30% | | |
| Min. Sound Output at 10cm at Rated Voltage (dB) | | 85 | | |
| Operating Temperature (°C) | | -20~+60 | | |
| Storage Temperature (°C) | | -30~+70 | | |
| Housing Material | | ABS(Black) | | |
| Environmental Protection Regulation | | RoHS | | |
| Buzzer | | Soldering Parameter | | |
| Soldering process | | Temp.(°C) | Time(Sec.) | Times |
| Inclusive Lead | Reflow soldering | 230±10 | above 170°C time 40~70 | 2 |
| | Wave soldering | 245±5 | 3~6 | 1~2 |
| | Manual soldering | 330±10 | 1~2 | 1~2 |
| Lead Free | Reflow soldering | 245±15 | above 180°C time 40~70 | 3 |
| | Wave soldering | 260±5 | 4~8 | 2~3 |
| | ★ Manual soldering | 350±10 | 1~3 | 2~3 |

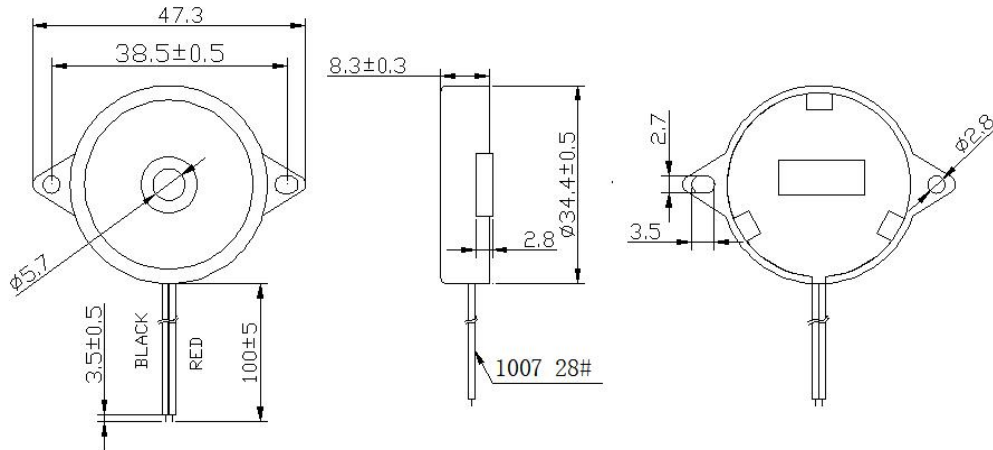
Remark: ★zhenmei Instance Soldering Process

| | | | | |
|---------------------------------|---------------------------|----------------------------|-------------------|--------------|
| Buzzer Soldering process | | Soldering Parameter | | |
| | | Temp.(°C) | Time(Sec.) | Times |
| Inclusive Lead | Wave soldering | 245±5 | 3~6 | 1~2 |
| | Manual soldering | 330±10 | 1~2 | 1~2 |
| Lead Free | Wave soldering | 260±5 | 4~8 | 2~3 |
| | ★ Manual soldering | 350±10 | 1~3 | 2~3 |

承认书

APPEARANCE DRAWING

Tol : ± 0.5 Unit: mm



TEST METHOD:

